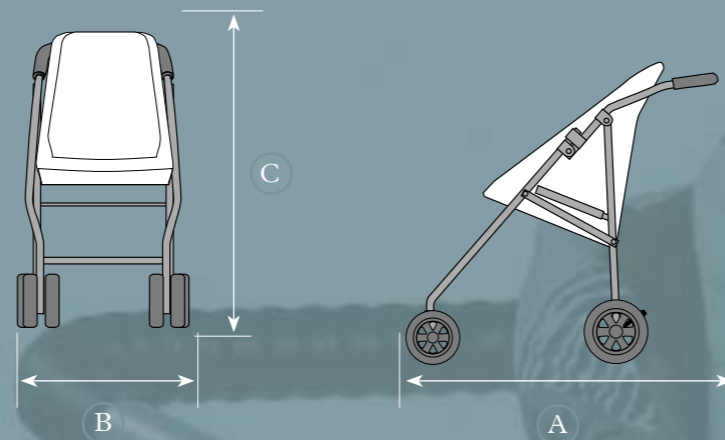


## Technical details



*Postural  
Control  
Seating  
System*



	EXTRA SMALL	SMALL	LARGE	EXTRA LARGE
Seat Depth	220 mm	270 mm	320 mm	365 mm
Seat Width	280 mm	320 mm	320 mm	370 mm
Back Height	520 mm	550 mm	610 mm	660 mm
MODEL	DIMENSION 'A'	DIMENSION 'B'	DIMENSION 'C'	
Extra Small	1010 mm	530 mm	960 mm	
Small	1010 mm	570 mm	960 mm	
Large	1010 mm	570 mm	970 mm	
Extra Large	1010 mm	595 mm	995 mm	
FOLDED				
Extra Small	290 mm	530 mm	1040 mm	
Small	290 mm	570 mm	1040 mm	
Large	290 mm	570 mm	1090 mm	
Extra Large	290 mm	595 mm	1070 mm	

Sizes are for guidance only.

Due to continual development,  
specifications may change  
without prior notice



**Tendercare**

Tendercare Limited,  
P.O. Box 3091,  
Littlehampton BN16 2WF

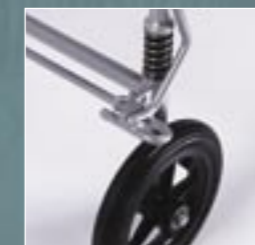
Telephone: (01903) 726161  
Facsimile: (01903) 734083  
E-mail: [info@tendercareltd.com](mailto:info@tendercareltd.com)  
Website: [www.tendercareltd.com](http://www.tendercareltd.com)

Design & Artwork - Juice.gb Tel: 01425 655662

*Versatility  
at its  
best*



*The  
Fold-a-Way™  
Spring*



*ing*

**Tendercare**

This balanced design  
provides access for  
many aspects of  
outdoor enjoyment.

b \_ ] ^ j m [ \_ ] ^ j 6o [ j 6i j h e d ] 6Wd Z 6Z k h WX b l

The Fold-a-Way postural control system has been designed to enhance the seating position of children with moderate postural problems.

This range of pushchairs has been manufactured from mild steel and aluminium for ease of use, whilst retaining its strength and durability. It has been successfully tested to wheelchair standard ISO7176/19 for impact resistance.

The Fold-a-Way is supplied with a unique suspension system on the rear frame, thereby providing a more comfortable ride for the occupant.

To enhance positioning and comfort, a built-in Gas Spring mechanism allows the seat to be adjusted into a variety of positions.

The Fold-a-Way's seat, modular pads and integral boards are fully detachable from the pushchair for ease of cleaning. All covers, including the seat support pads, are machine washable.



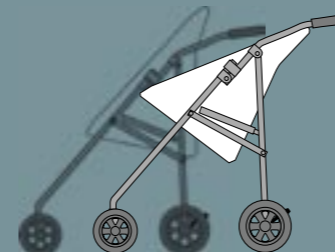
Optional Extras:

- ▶ Depth & Height Adjustable Pommel
- ▶ Head Support Pads
- ▶ One Piece Headrest
- ▶ Pelvic Pads
- ▶ Covered Back Pad
- ▶ Chest Harness
- ▶ Play Tray
- ▶ Shopping Basket
- ▶ Aluminium Carrying Tray
- ▶ Rainhood & Apron
- ▶ Sun Canopy
- ▶ Snug Toes
- ▶ Harness Cover
- ▶ Velcro Loop<sup>®</sup>



# The Fold-a-Way Spring

The Fold-a-Way is available in 4 sizes, ensuring that the correct buggy is selected for the child's body weight and frame size.



The angle of the seat is adjustable to suit the needs of a wide range of occupants.



Compact folded frame for easy storage and transportation



Independent wheel suspension and locking brake on the rear wheels

The System consists of:

- ▶ Machine Washable Cover
- ▶ Seat Support Boards incorporating detachable pads
- ▶ Dual Multi-Positional Gas Spring for seat angle adjustment
- ▶ A set of 4 L shaped pads
- ▶ Fully adjustable 5-Point Harness
- ▶ Adjustable Footrest