

Snugseat™

Play Tray Fitting Instructions

The Snugseat play tray comes with two fixing brackets which attach to the frame of the Snugseat:

- 1 Left hand bracket
- 1 Right hand bracket

Using the illustration as a guide fit the left hand bracket to the left hand side of the Snugseat (viewed from the front).

Remove the screws (A) from the bracket and position on the outside of the metal tab located on the Snugseat frame.

Align holes in bracket and tab, replace screws and tighten until the bracket is held firmly against the metal tab.

Repeat procedure for the right hand bracket.

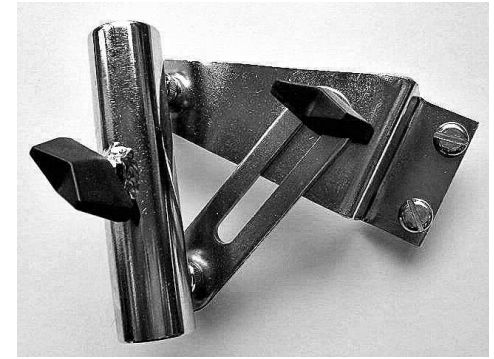
Connect play tray to the brackets and lock at the desired height using screw (B).

Using locking nut (C) you can alter the angle of the play tray to keep it horizontal no matter how reclined the Snugseat is.

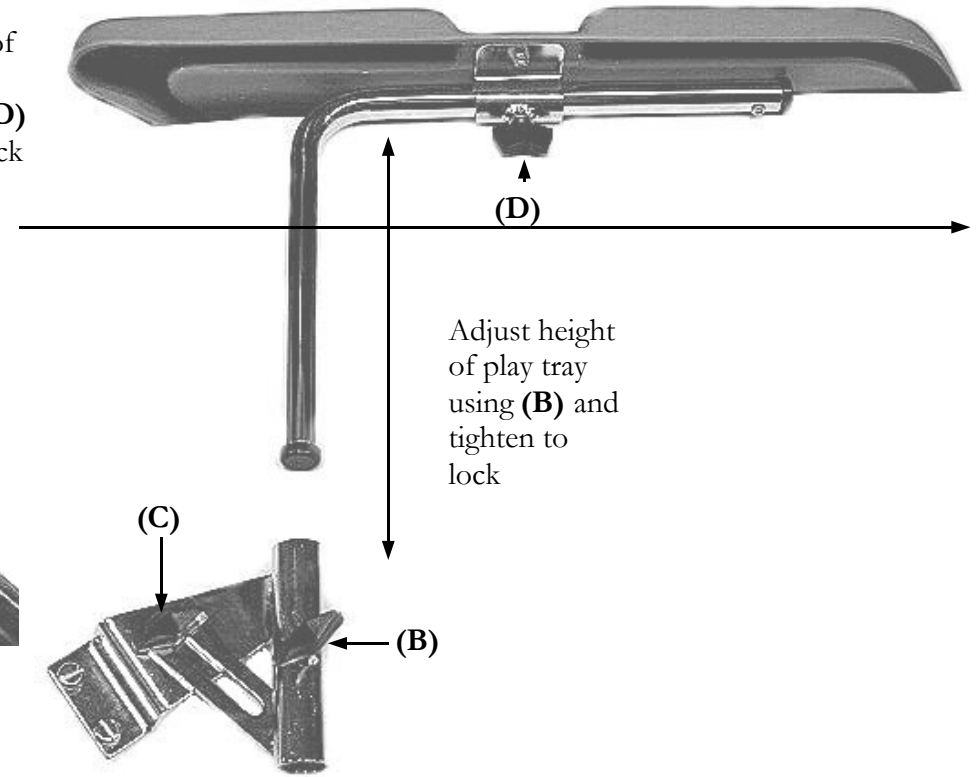
Left hand bracket



Right hand bracket



Adjust distance of play tray from Snugseat using (D) and tighten to lock



Adjust height of play tray using (B) and tighten to lock

Adjust angle of play tray using (C) and tighten to lock



Tendercare Ltd
PO Box 3091
Littlehampton
BN16 2WF
www.tendercareltd.com
info@tendercareltd.com