

# Tendercare

## USER MANUAL

For

## Moulded Seat Insert (MSI)

### IMPORTANT

Please read these instructions carefully  
Before using your MSI.

# CONTENTS

Introduction	3
Parts Description	4
Securing the Moulded Seat Insert into the Host Wheelchair	5
Positioning the Client into the Moulded Seat Insert	7
Care of the Moulded Seat Insert	8
Stability	9
Transport	10
Important Information	11
Tendercare Address and Contact Numbers	12

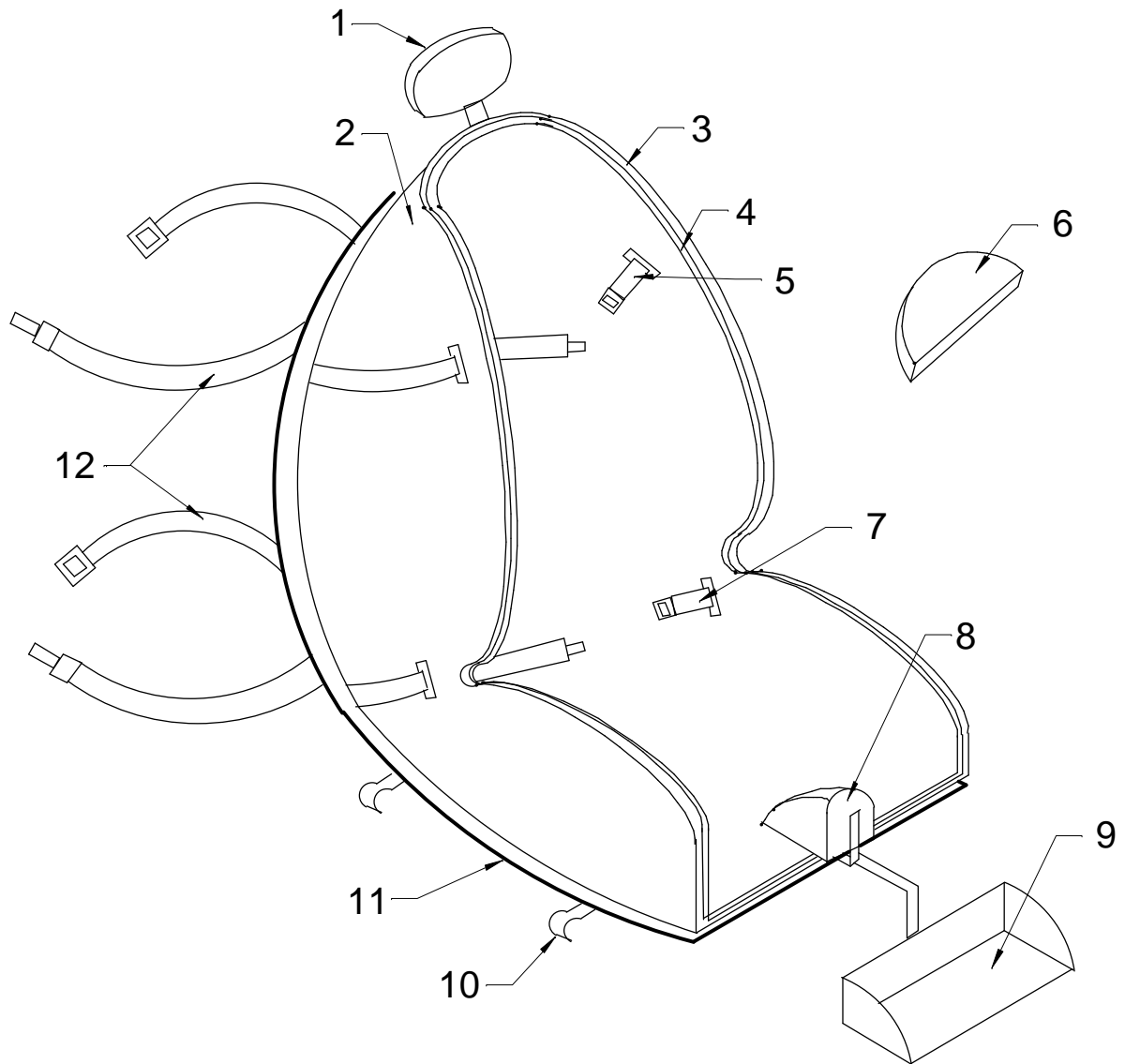
## **INTRODUCTION**

This Manual is designed as a general guide to explain the use and functioning of the Mounded Seat Insert (MSI).

The Moulded Seat Insert is an individual custom-made device and is only intended for use by the assessed client. Shape, size and features may differ from the item supplied.

If in any doubt, please contact your Wheelchair Service or Tendercare Ltd.

# PARTS DESCRIPTION



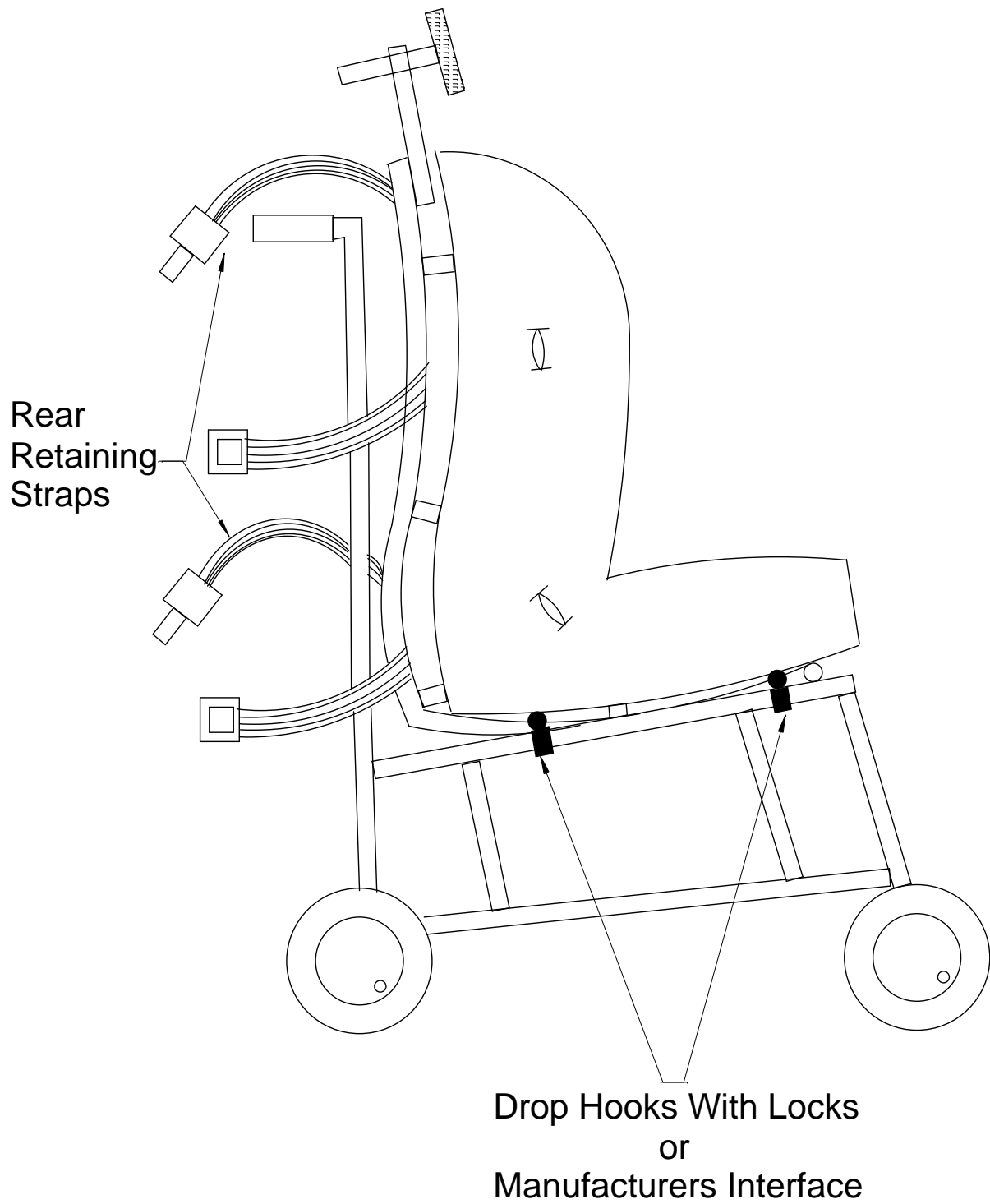
- |   |                 |    |                       |
|---|-----------------|----|-----------------------|
| 1 | Headrest        | 7  | Pelvic Strap          |
| 2 | HDPE Shell      | 8  | Pommel (Removable)    |
| 3 | Bonded Liner    | 9  | Foot Support          |
| 4 | Removable Liner | 10 | Drop Hooks with Locks |
| 5 | Chest Strap     | 11 | Frame Work            |
| 6 | Pressure Relief | 12 | Rear Retaining Straps |

## **SECURING THE MOULDED SEAT INSERT INTO THE HOST WHEELCHAIR**

Moulded Seat Inserts are normally fitted into wheelchairs with the seat and back canvas removed.

The Moulded Seat Insert is secured into the prescribed wheelchair by either the manufacturer's Interface or by locking the drop hooks on the side of the wheelchair seat framework.

Locate the back framework between the push handles of the wheelchair while lowering the base onto the wheelchair rails. Secure the back by fastening the Moulded Seat Insert Rear retaining straps around both wheelchair push handles. These straps **MUST** be kept tightly adjusted at all times.



## **POSITIONING THE CLIENT INTO THE MOULDED SEAT INSERT (MSI)**

The client should be positioned correctly into the MSI at all times for it to work successfully.

- 1 The pelvis must be positioned as far back as possible within the Moulded Seat Insert, and the pelvic strap securely fastened.
- 2 The headrest must be adjusted into the correct position.
- 3 Make sure the butterfly harness / chest strap (if fitted) is kept as low as possible over the client's chest away from the neckline.
- 4 Position the feet correctly onto the footrest/support – fit the straps (if fitted).
- 5 Fit the Pommel, if removable type is supplied.

Because of the nature of Moulded Seating, the client should be given time to get accustomed to the new seat position, so short periods of seating should be introduced and built up over a period of time.

## **CARE OF THE MOULDED SEAT INSERT**

**SHELL**: To clean the seat shall, wipe with a damp cloth and dry thoroughly. A mild detergent may be used to remove stubborn stains.

**LINERS**: To clean the foam liners, wipe with a damp cloth and dry thoroughly. Ensure the liners are dry before re-using the seat. A mild detergent may be used to remove stubborn stains.

**PRESSURE RELIEF**: Wipe the outer cover with a damp cloth. The inner seal waterproofs the special foam and must not be removed. If this seal becomes damaged, contact the Wheelchair Service or Tendercare Ltd.

**LOOSE COVERS**: These can be machine washed at 30°C (**Do not Tumble Dry**). **Ensure the covers are thoroughly dry before re-fitting**

**WEBBING STRAPS**: Wipe with a damp cloth and dry thoroughly before refitting. Do not immerse in water or wash them. (**Do not tumble dry**).

**HARNESS**: To clean the harness, wipe with a damp cloth and dry thoroughly before refitting. A mild detergent may be used to remove stubborn stains.

**If damage occurs to any item with affects the functioning of the Moulded Seat Insert, contact your Wheelchair Service.**

## **STABILITY**

On delivery of the Moulded Seat Insert a stability test will have been carried out by the wheelchair service whilst the client is sat in the seat. The seating / wheelchair system must pass this test before you take delivery of the Moulded Seat Insert.

**CARE** must be taken at all times when the system is used on slopes, as this may cause it to become unstable, and may lead to tipping over.

## **TRANSPORT**

The seating system has been made for an individual person and because of its shape may not give full protection from injury in a crash. Therefore, Moulded Seat Inserts **MUST NOT** be thought of as car safety seats. We recommend that the user is transferred from the Moulded Seat Insert to a vehicle seat and restrained using approved vehicle seat belts. If this is not possible, for example, due to the users posture and it is necessary to travel in the Moulded Seat Insert you must: -

1. Always refer to the wheelchair/chassis manufacturers guidelines when transporting wheelchairs and follow them.
2. Follow the advice given in MEDICAL DEVICES AGENCY REPORT MDD/92/07 Guidelines for Transporting Children in Special Seating. ISBN 85197 7082. This is available from the Medical Devices Agency, Hannibal House, Elephant and Castle, London SE1 6TQ

**REMEMBER - NEVER REGARD THIS  
MOULDED SEAT INSERT AS A CAR SAFETY SEAT**

## **IMPORTANT INFORMATION**

Should the client become uncomfortable, suffer marking of the skin or there is an apparent change in weight or shape, please contact the Wheelchair Service so a review can be arranged.

The Moulded Seat Insert has been custom made for use by one person. It is not suitable for use by anyone else.

The Moulded Seat Insert has been designed to fit a particular host wheelchair / chassis. The care must not attempt to fit the seat into any other wheelchair or chassis.

Maintenance or adjustment of the Moulded Seat insert other than the items listed in this manual must be carried out by your Wheelchair Service or Tendercare Ltd.

TENDERCARE LIMITED

PO BOX 3091 – LITTLEHAMPTON – BN16 2WF

Tel: +44(0)1903 726161 – Fax: +44 (0) 1903 734083

Email: [info@tendercareltd.com](mailto:info@tendercareltd.com)

Website: [www.tendercareltd.com](http://www.tendercareltd.com)